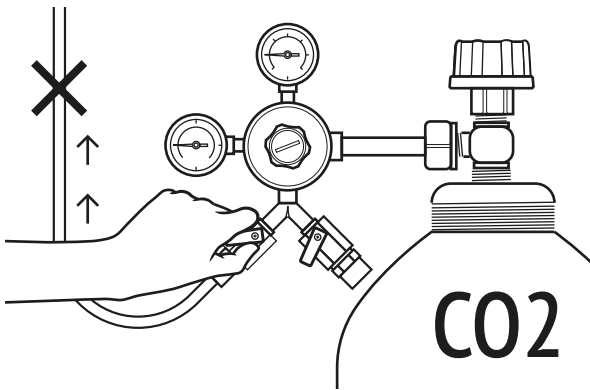


Attention! Empty kegs are still under pressure .

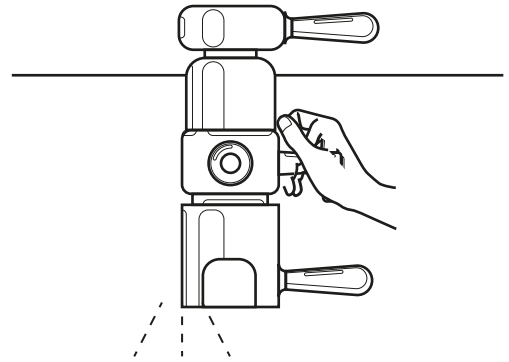


Relieve the pressure until the filling head is unscrewed.

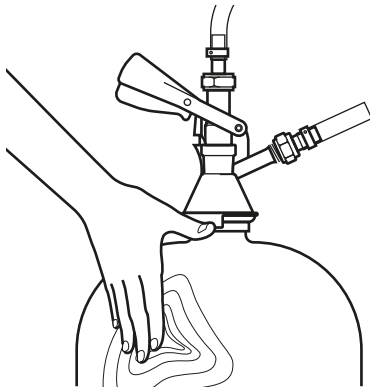
- 1** Close the CO₂ feed.



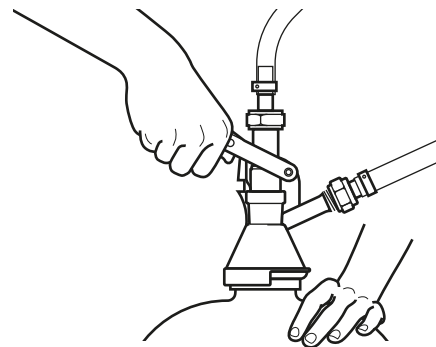
- 2** Open the dispensing valve to relieve the pressure.



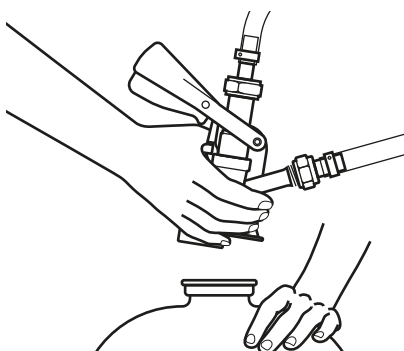
- 3** Press on the keg and make sure it's soft.



- 4** Press the fixing clamp of the head, and raise the handle all the way up



- 5** Remove the filling head from the keg fitting



- 6** Close the dispensing valve.

